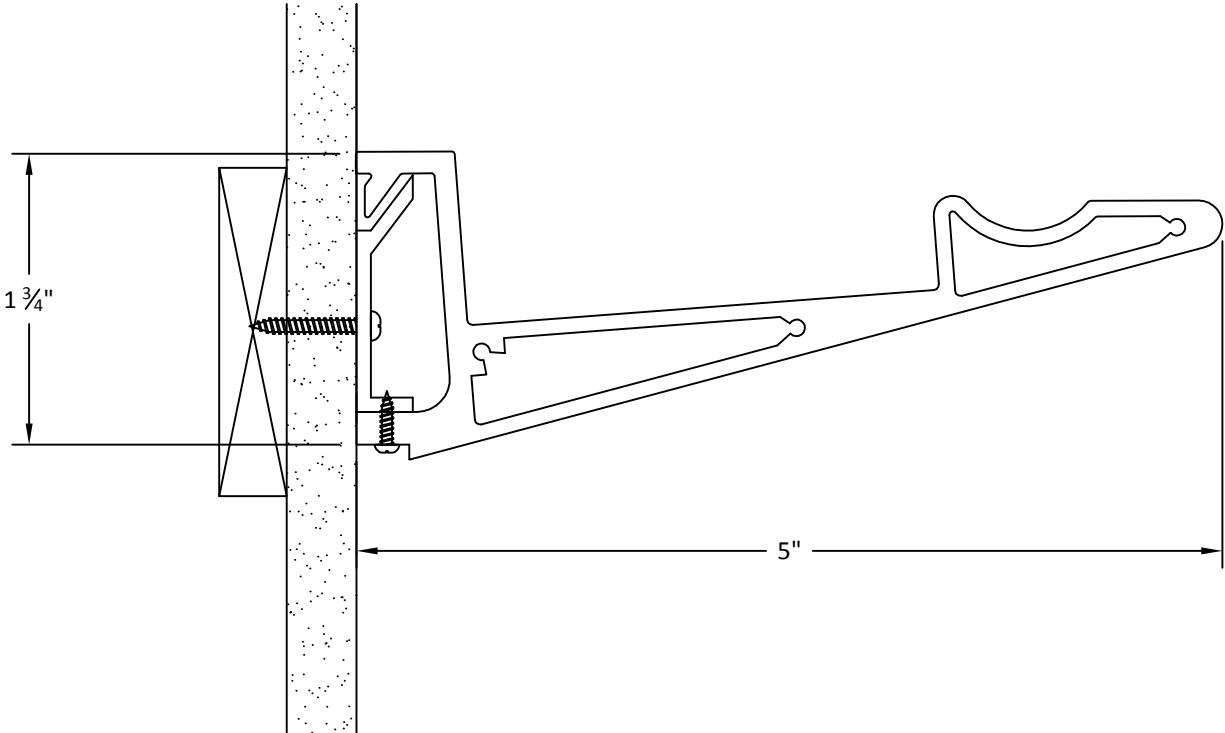


E-780 ALUMINUM CHART RAIL



SCALE: N.T.S.

Section:		Project:	Location:	Architect:	Contractor:
P.B.S. Supply Co. 7013 South 216th Street Kent, WA 98032 Phone: (253) 395-5550 Fax: (253) 395-5575 www.pbssupply.com					
File:	Date:	Drw #	By:		